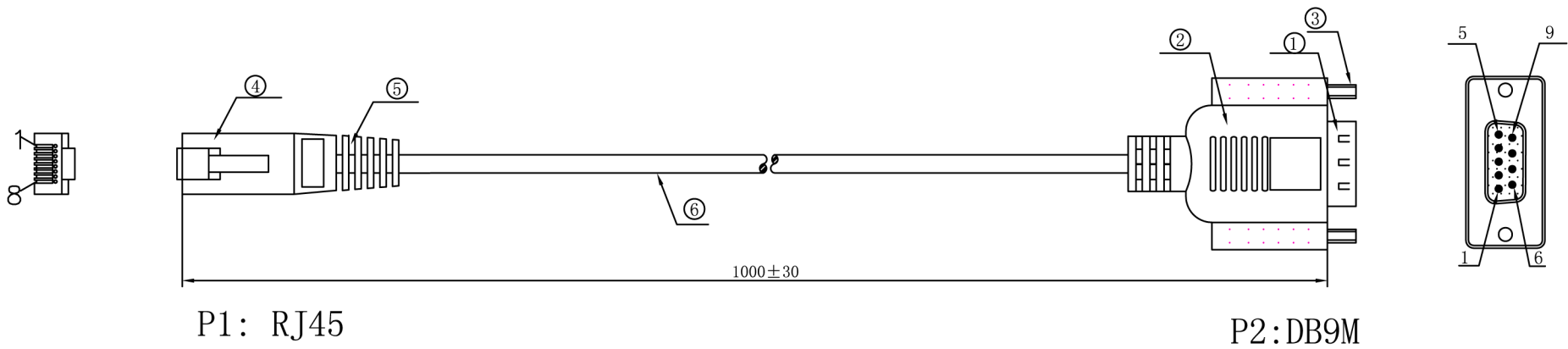


ITEM:DB9M-RJ45-D-1M-GRAY

NO	Drawing	Date	Ver.	Change records
1	Huang	2014-02-12	A	
2				



P1: RJ45

P2: DB9M

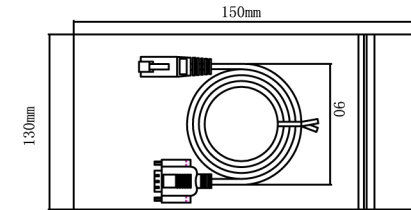
1.Contact figure


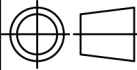
P1	P2
1 _____	7 _____
2 _____	4 _____
3 _____	3 _____
4 _____	5 _____
5 _____	5 _____
6 _____	2 _____
7 _____	6 _____
8 _____	8 _____

2.ELECTRICAL PROPERTIES

- A.Hi-Pot: 300V
- B.Contact Resistance: 5MΩ
- C.Insulation Resistance: 5Ω

3.Packing



 Shenzhen Longgang District Hongkai Factory							
Customer	Item No.	Page	1/1				
Drawing	Huang	Item name	DB9M TO 8P8C			Rate	1:1
Check		Drawing Numbers				Ver.	A
Approved	Date	2014-02-12	PART NO.				

ITEM	DESCRIPTION	QTY.	UNIT
1	DB9 Male Connector	1	PC
2	Gray Molded PVC Hood	1	PC
3	#4/40 Hexnut	2	PC
4	RJ45 8P8C PLUG	1	PC
5	Gray Molded PVC Hood	1	PC
6	CAT. 5 UTP 24AWG*4PIARS OD:5.5mm Gray PVC Jacket L:1000mm	SEE	DWG.