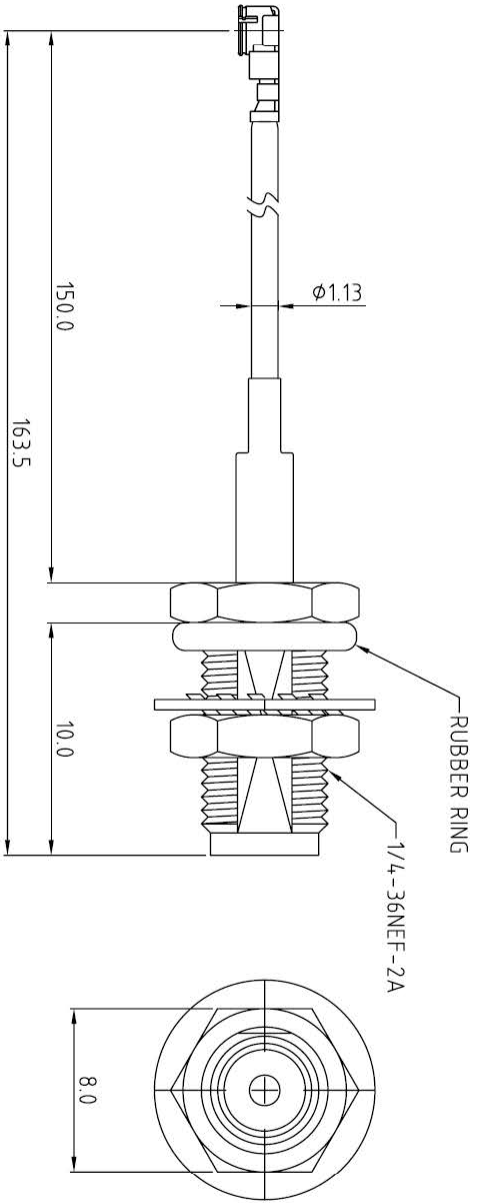


AMEND	Mark	Date	Revision



**General Tolerances**

DIM	GRADE	A	B	C
0-6		±0.05	±0.10	±0.25
6-18		±0.07	±0.14	±0.35
20-50		±0.10	±0.20	±0.50
50-120		±0.15	±0.30	±0.80
120-250		±0.20	±0.50	±1.00
250-500		±0.30	±1.50	±2.00

2	SMA Female	SMA BJ	1	Au 도금	"D" Cutting
1	Coaxial Cable	UFL CABLE	1	φ1.13 Au 도금	CABLE COLOR : GRAY
No	Part No	Description	Q'ty	Material	Remark
Tolerances		Decimals	. * ±0.1	. * * ±0.05	Angles ±1°

Designed By:	Checked By:	Approved By:	Model No.	-
h.k.lee	h.k.lee	h.h.lee	Model Name:	SMA BU-UFL CABLE ASSY
11.10.24	11.10.24	11.10.24	Part No.	-
Scale: 1/1	Scale: 1/1	Unit: mm	Part Name	SMA BU-UFL CABLE ASSY

**Lynxtech** Rev. 0

- Note**
1. SMA BU 릴이 표준품.
  2. Nut, Washer 포함 : Au 도금.
  3. UFL CABLE의 방향은 받은 도에 준함.