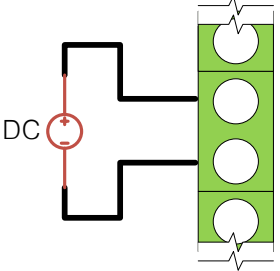
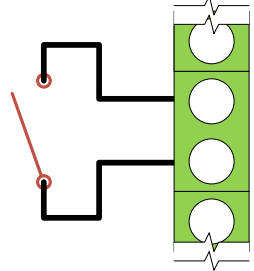
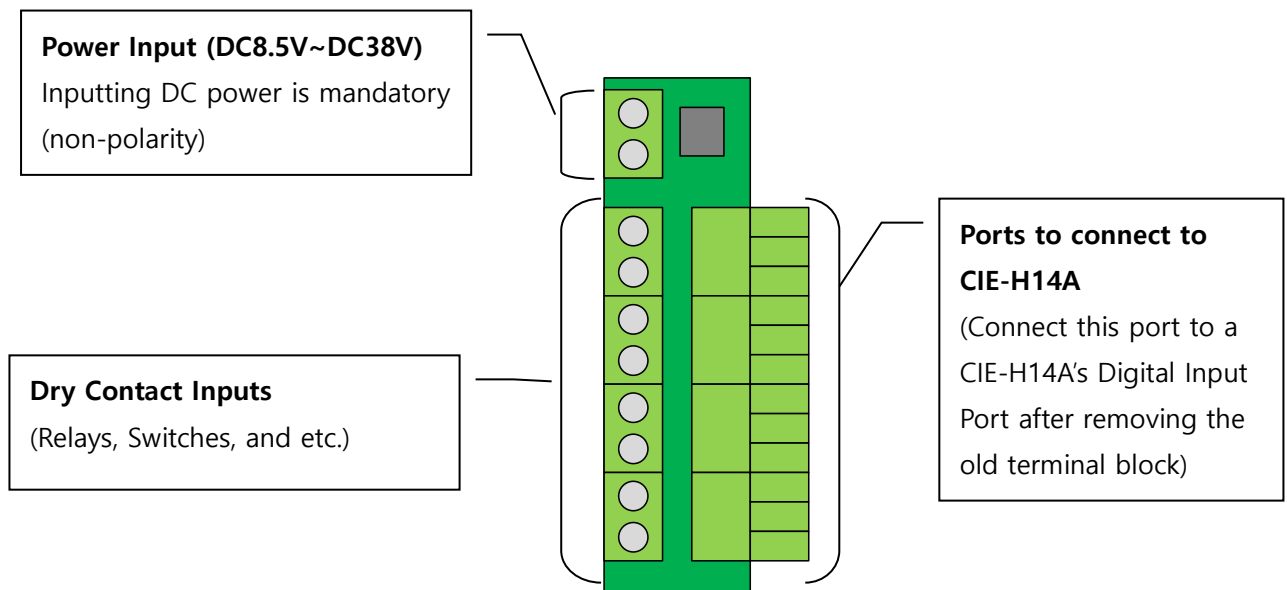


## Dry Contact Adapter for CIE-H14A (DCA) V1.1

- This Dry Contact Adapter (DCA) supplies a function to change CIE-H14A's digital input ports to dry contact interface (relay or switch).

	Without DCA	With DCA
Input Condition	1: over DC4.5V between the input ports 0: under DC1.2V between the input ports	1: two ports are short 0: two ports are open
Diagram		
Adaptable devices	Devices or sensors which output DC voltage	Relays or Switches

### DCA's Interface



- **Examples**

