



IEEE 802.11 b/g/n
150Mbps
WiFi Adapter
Product Specifications

Model: GWF-3S5T

Version: 1.0

Date: 2012/6/9



1. Introduction

This Model: GWF-3S5T WLAN adapter support IEEE 802.11 b/g/n standards with type A USB connector supporting USB 2.0 interface.

1.1 Scope:

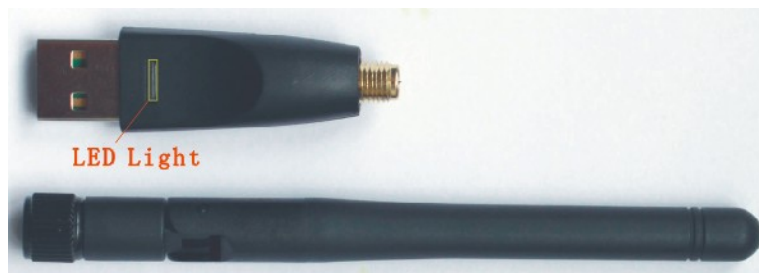
The adapter is made with a highly integrated MAC/BBP and 2.4GHz RF/PA/LNA single chip with 150Mbps PHY rate supporting. It fully complies with IEEE802.11n and IEEE802.11b/g feature rich wireless connectivity at high standards, delivers reliable, cost-effective, throughput form an extended distance.

The detachable antenna WLAN adapter design is good for wireless connectivity, it gives more flexibility for user to change its external antenna when stronger signal is required, .



90 degree

SMA connector (Male pin)



Detachable 2dBi SMA antenna



Side View 1



Side View 2

Figure 1. Reference pictures

Information in this document is subject to change without prior notice.



1.2 Features

- 802.11b: 1, 2, 5.5, 11Mbps;
- 802.11g: 6, 9, 12, 18, 24, 36, 48, 54Mbps
- 802.11n: (20MHz) MCS0-7, Support up to 72Mbps
(40MHz) MCS0-7, Support up to 150Mbps
- OFDM, Peak rate 150Mbps, Peak throughput 90Mbps.
- Security support for 64/128 WEP, WPA, WPA2, TKIP, AES
- Operates in 2.4GHz frequency bands. Power Management

2. Product Information

2.1 Block Diagram

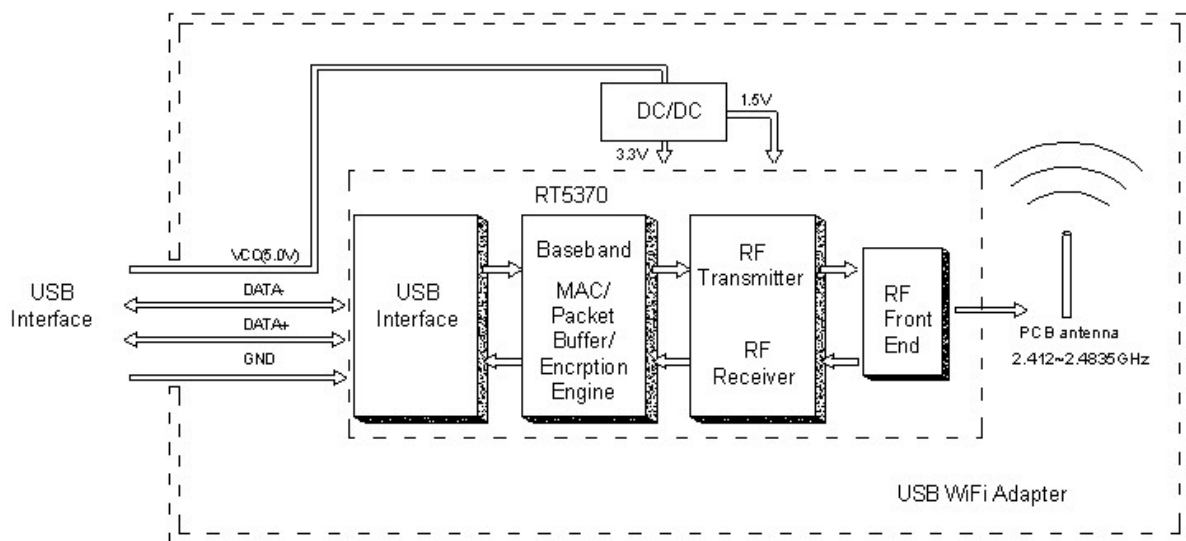


Figure 2 System Block Diagram of GWF-3S5T WLAN adapter

2.2 Outline Information (Typical dimension)

Notes: The dimension shown in figure 3 is just for reference only.

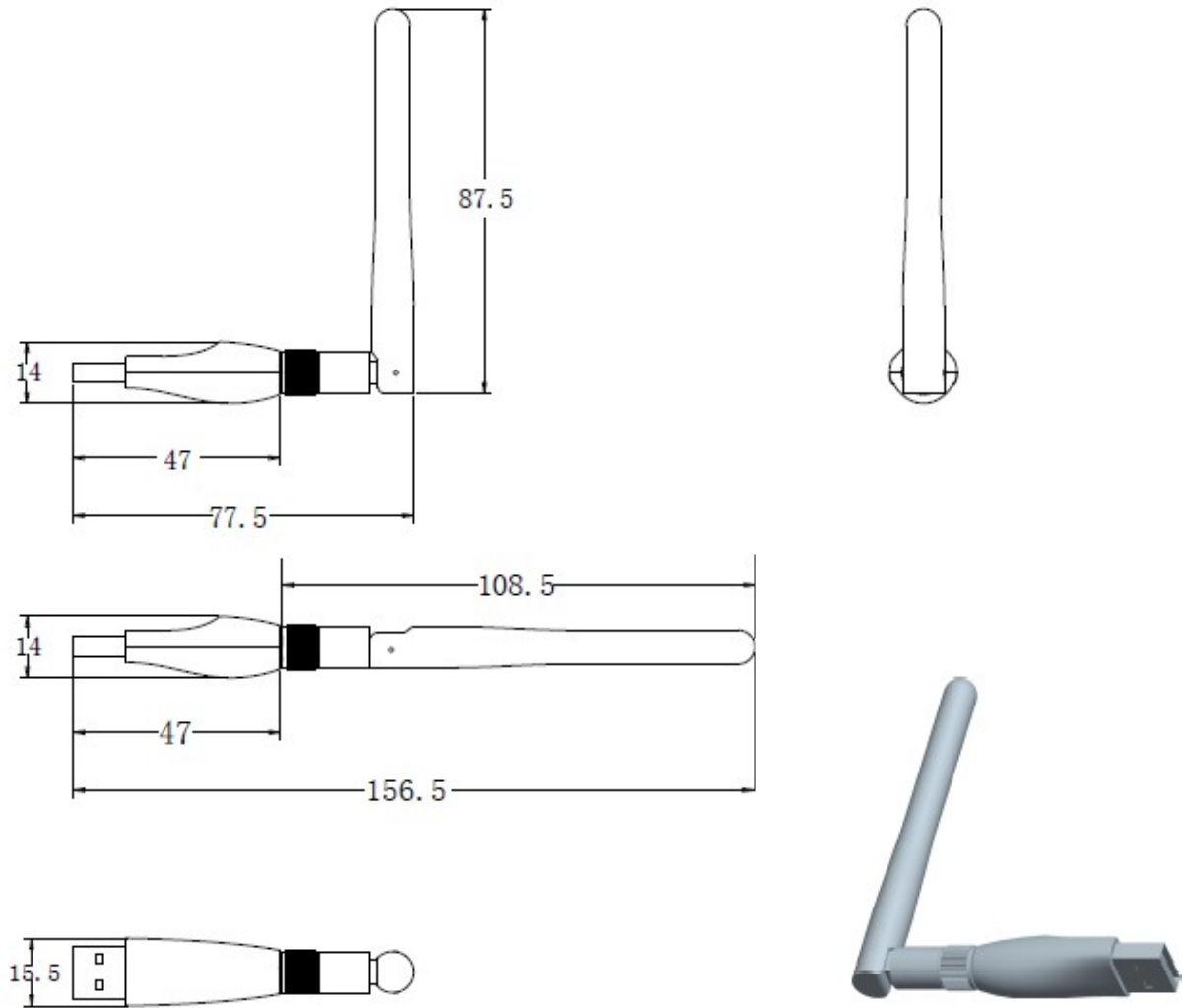


Figure 3

2.3 Software and system Information

Operation System	CPU Supplier	Driver
Linux 2.4/2.6	ARM, MIPSII	Available
Windows CE/XP/Vista/7	X86 Platform	Available
Mac OS X 10.5/10.6/10.7	N/A	Available

2.4 Agency Approval

Agency	Approval
FCC Part15	N/A
CE	N/A
RoHS	Yes



2.5 Specification Overview

Hardware	
Main Chipset	Ralink RT5370
Host interface	USB 2.0/1.1 Type A
LED	Link/ Activity
RF Performance	
Standards	IEEE802.11b/g & 802.11n (1T1R mode, 150Mbps)
Antenna	2dBi detachable antenna
Operation Frequency	2412~2483.5 MHz (varies according to different regions).
Typical Antenna Feed Point	802.11b (CCK)11Mbps: 18+/-1dBm; 802.11g (OFDM) 54Mbps: 15+/-1dBm
Tx Power	802.11n (HT20@MCS7), 14+/-1dBm; 802.11n (HT40@MCS7),14+/-1dBm
Receive Sensitivity	802.11b: -84+/-1dBm; 802.11g: -72+/-1dBm
	802.11n (HT20), -68+/-1dBm; 802.11n (HT40), -68+/-1dBm
Software Support	
Operation System	Windows CE/XP/Vista/7; Linux 2.6.X; Mac OS X
Security	WEP 64/128bit , WPA, WPA2, 802.1x, and 802.11i,Cisco CCS Compliant
Operation conditions	
Voltage Range/Current	DC 5.0V \pm 5% / <160mA
Temperature	Operation: -10°C - 60°C; Storage:-20°C - 70°C
Humidity(Non-Condensing)	Operation: RH 95%; Storage : RH 95%
Physical Specification	
Dimensions	(Main body)156.5x14x15.5mm, details refer to the figures.
Net Weight	16.5g

3. Disclaimer

THESE MATERIALS AND INFORMATION ARE PROVIDED "AS IS" WITHOUT WARRANTY OF ANY KIND, EITHER EXPRESS OR IMPLIED , INCLUDING BUT NOT LIMITED TO, THE IMPLIED WARRANTIES OF MERCHANTABILITY, FITNESS FOR A PARTICULAR PURPOSE OR NON-INFRINGEMENT.

We uses reasonable efforts to include accurate and up-to-date information on this document; it does not, however, make any representations as to its accuracy or completeness of the information, text, graphics, links or other items contained within these materials. Your use of this Document is at your own risk. Ogemray, its suppliers, and other parties involved in creating and delivering this Document's contents shall not be liable for any special, indirect, incidental, or consequential damages, including without limitation, lost revenues or lost profits.