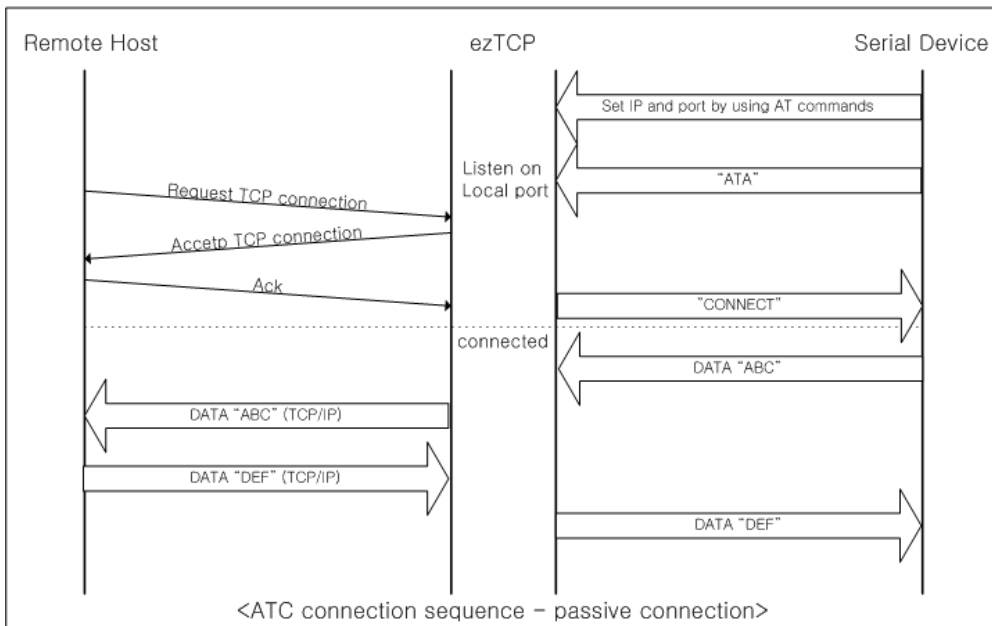
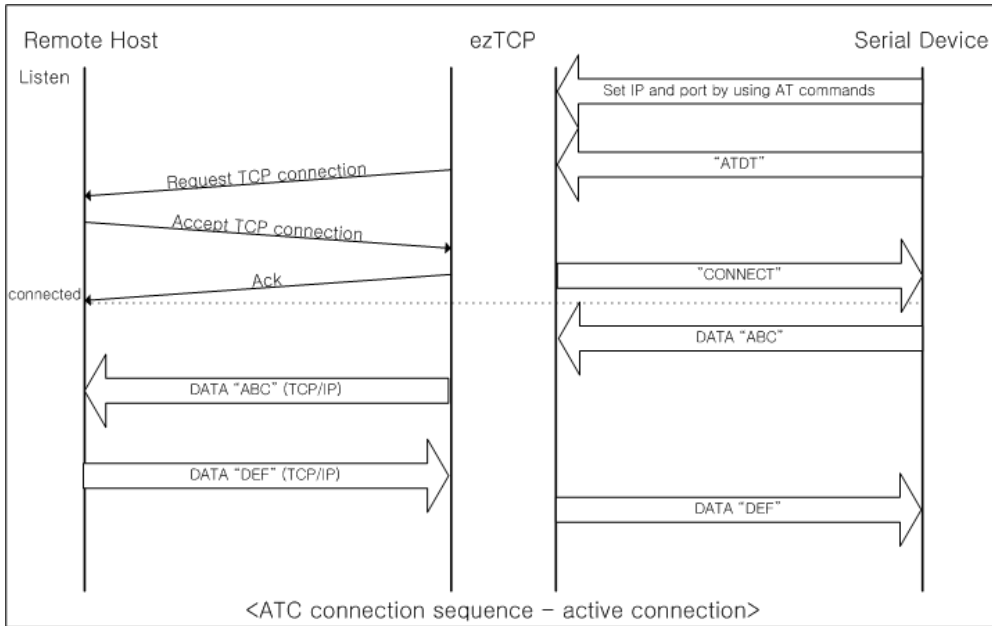


ATC (AT Command)

In ATC mode, the user can control the ezTCP in a similar way to controlling the modem using AT command. In ATC mode, only a TCP connection is possible and both the server and the client can be configured.

In ATC mode, the AT command allows the user to set environment variables including the IP address and control TCP connection and disconnection.



Sollae Systems Co., Ltd

<http://www.eztcp.com>

sales: sales@sollae.co.kr

technical support: support@sollae.co.kr